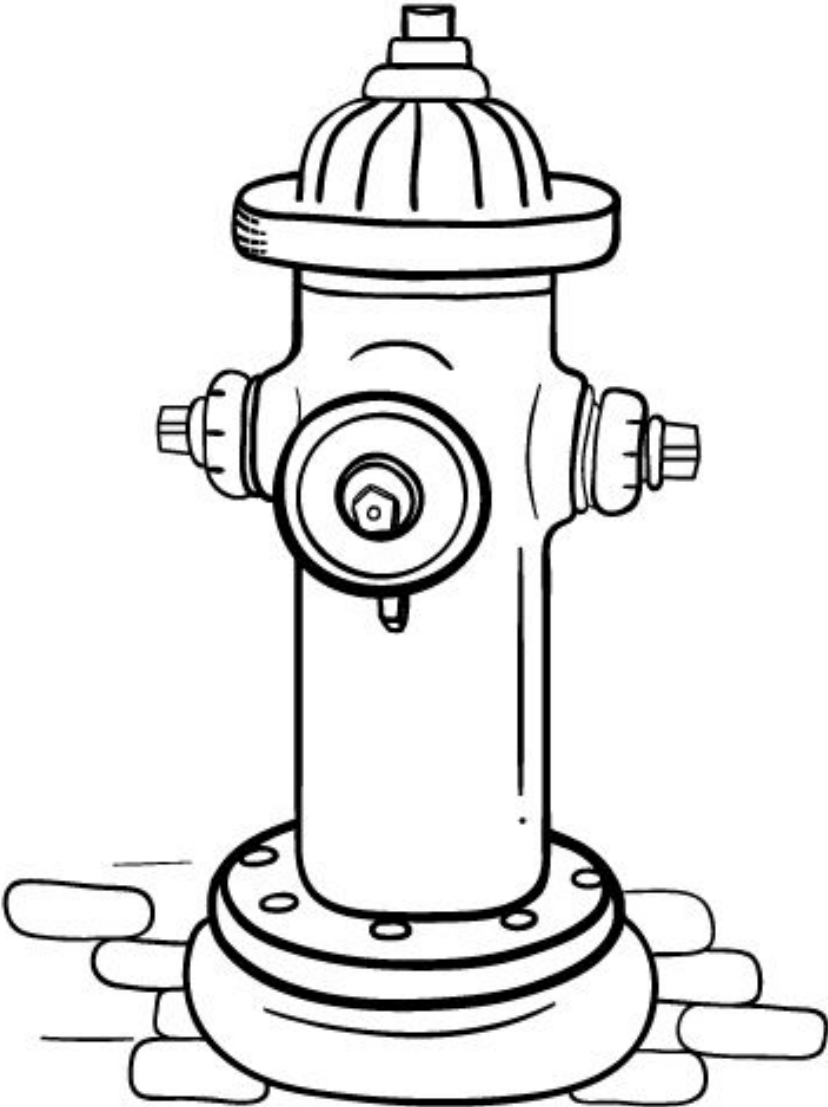


PROVIDE COLOR SKETCH OF PROPOSED ARTWORK  
ON HYDRANT TEMPLATE BELOW



Business or Group: \_\_\_\_\_

Contact Name: \_\_\_\_\_

Phone: \_\_\_\_\_ Email: \_\_\_\_\_